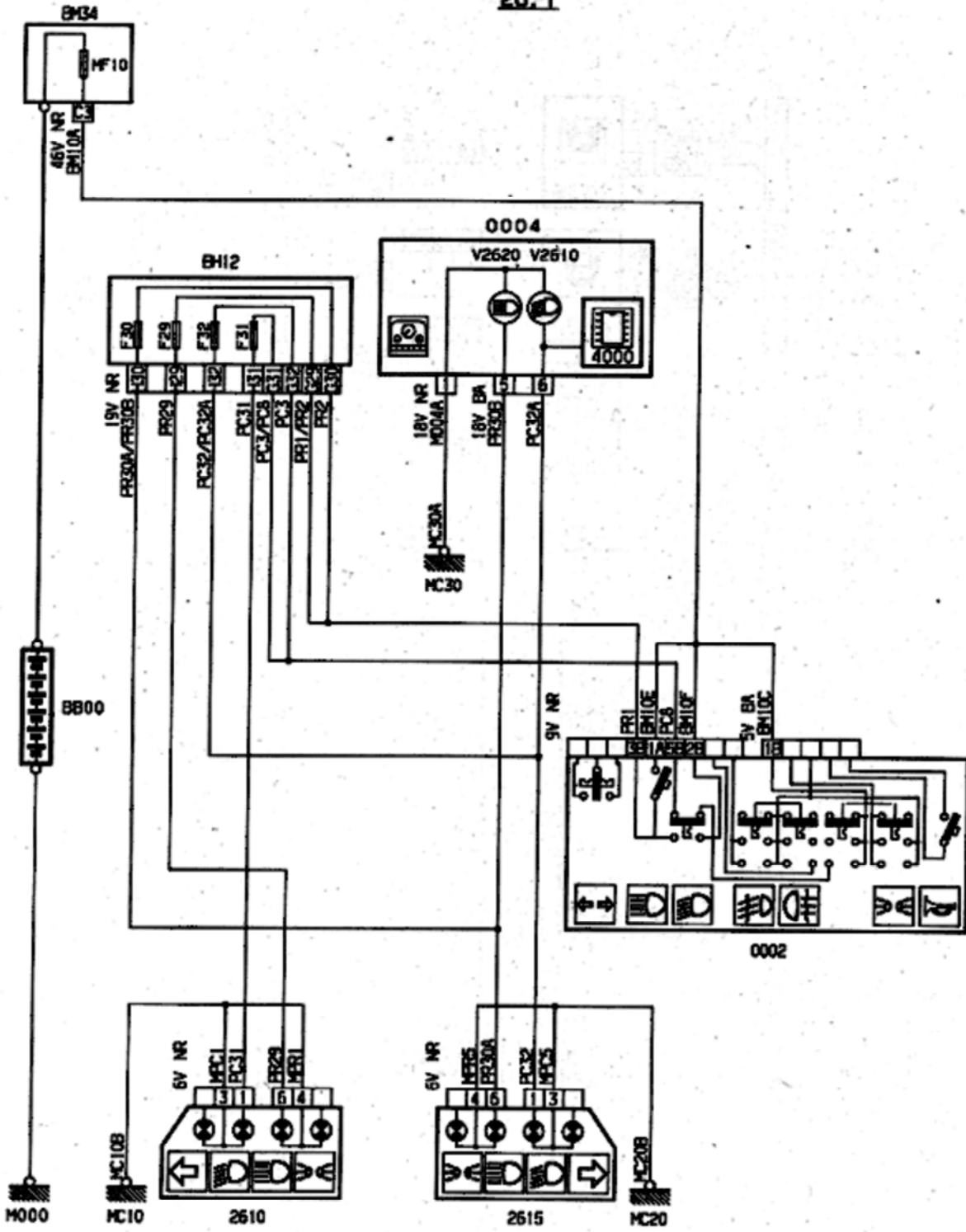


Vehicle : 406 (D9 2000)	OPR : 9226
domain	signals and lighting
component	function
	dipped beam / main beam headlamps

principle

26.1



D3FK054R