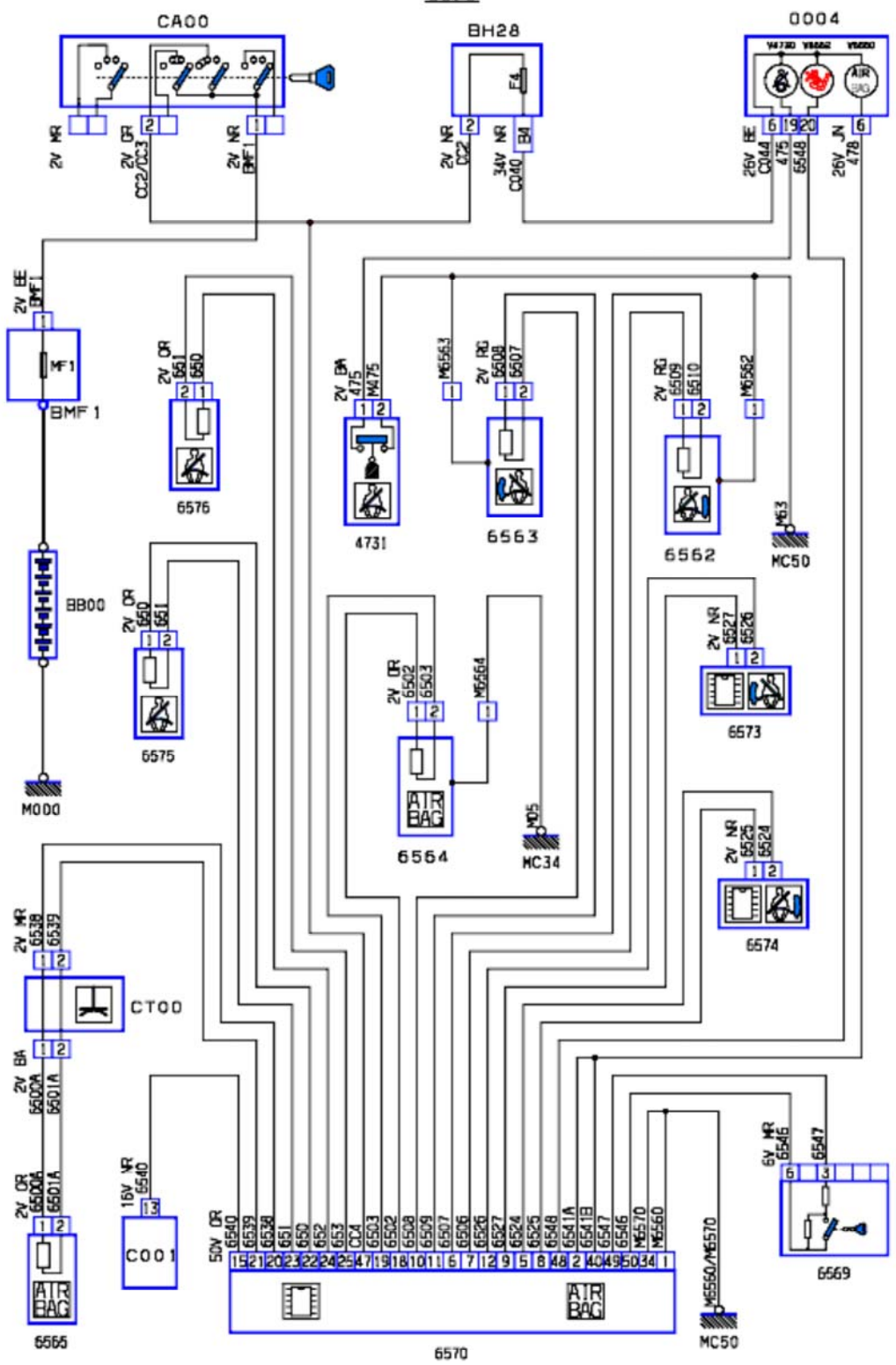


vehicle : 306 new	protections and doors	OPR : 9226	seat belts / air bags
domain		function	
component			

principle  
**65.3**



12/04/04