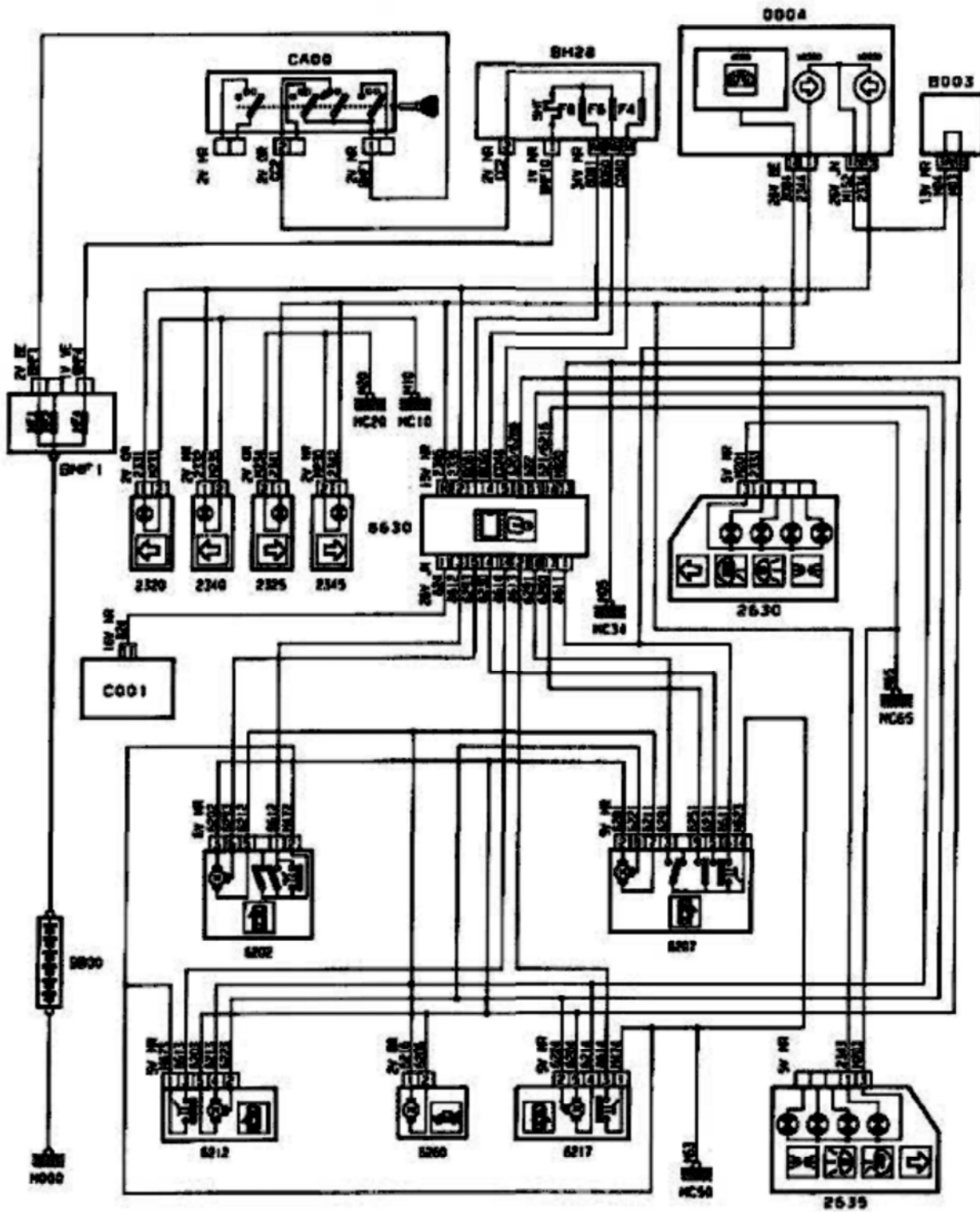


vehicle : 306 new	protections and doors	OPR : 9226	function	the central locking system
domain				
component				

principle



DJPK09R