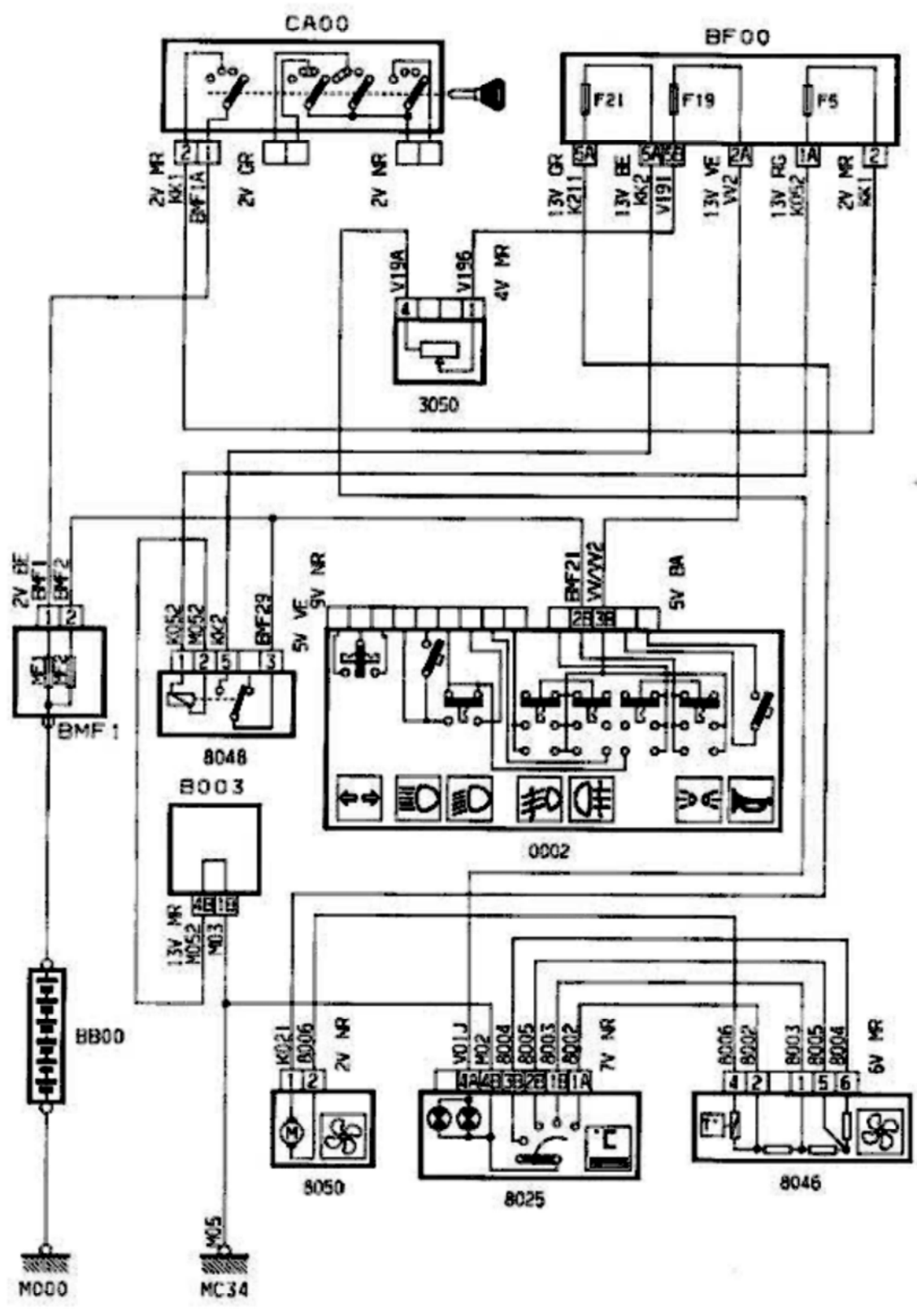


vehicle : 306 new		OPR : 9000	
domain	comfort and convenience	function	ventilation / heating
component			

principle



property of PSA Peugeot Citroën

29/12/2012