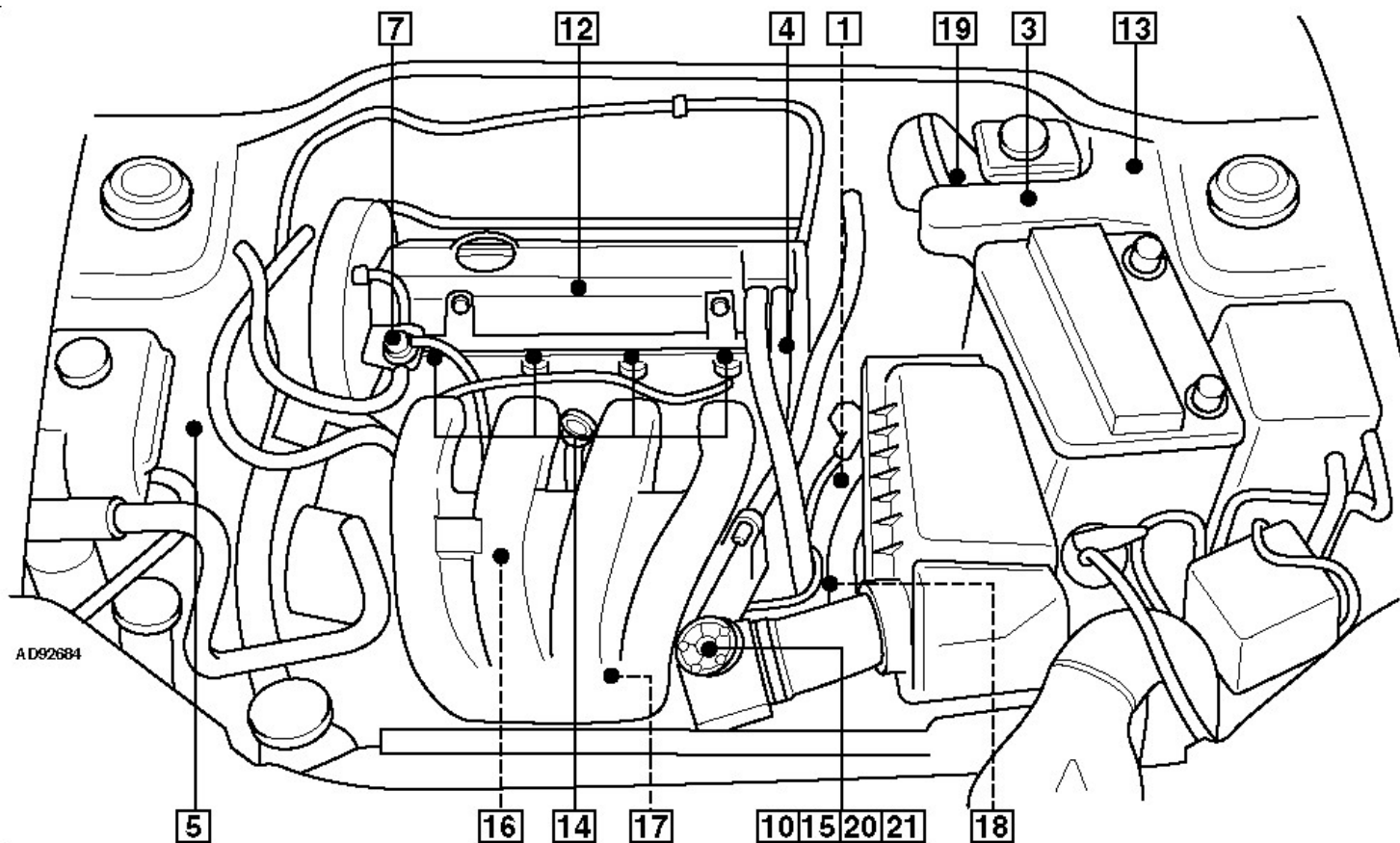


1	Crankshaft position (CKP) sensor
2	Data link connector (DLC) - fascia, near steering column
3	Engine control module (ECM)
4	Engine coolant temperature (ECT) sensor
5	Evaporative emission (EVAP) canister purge valve
6	Fuel filter - underside rear
7	Fuel pressure regulator
8	Fuel pump (FP) - in tank
9	Heated oxygen sensor (HO2S) - before cat
10	Idle air control (IAC) valve
11	Ignition amplifier - in ECM
12	Ignition coil
13	Inertia fuel shut-off (IFS) switch
14	Injectors
15	Intake air temperature (IAT) sensor
16	Knock sensor (KS)
17	Manifold absolute pressure (MAP) sensor
18	Power steering pressure (PSP) switch - if fitted
19	Relay module (RM)
20	Throttle body heater
21	Throttle position (TP) sensor
22	Vehicle speed sensor (VSS) - transmission



AD92684